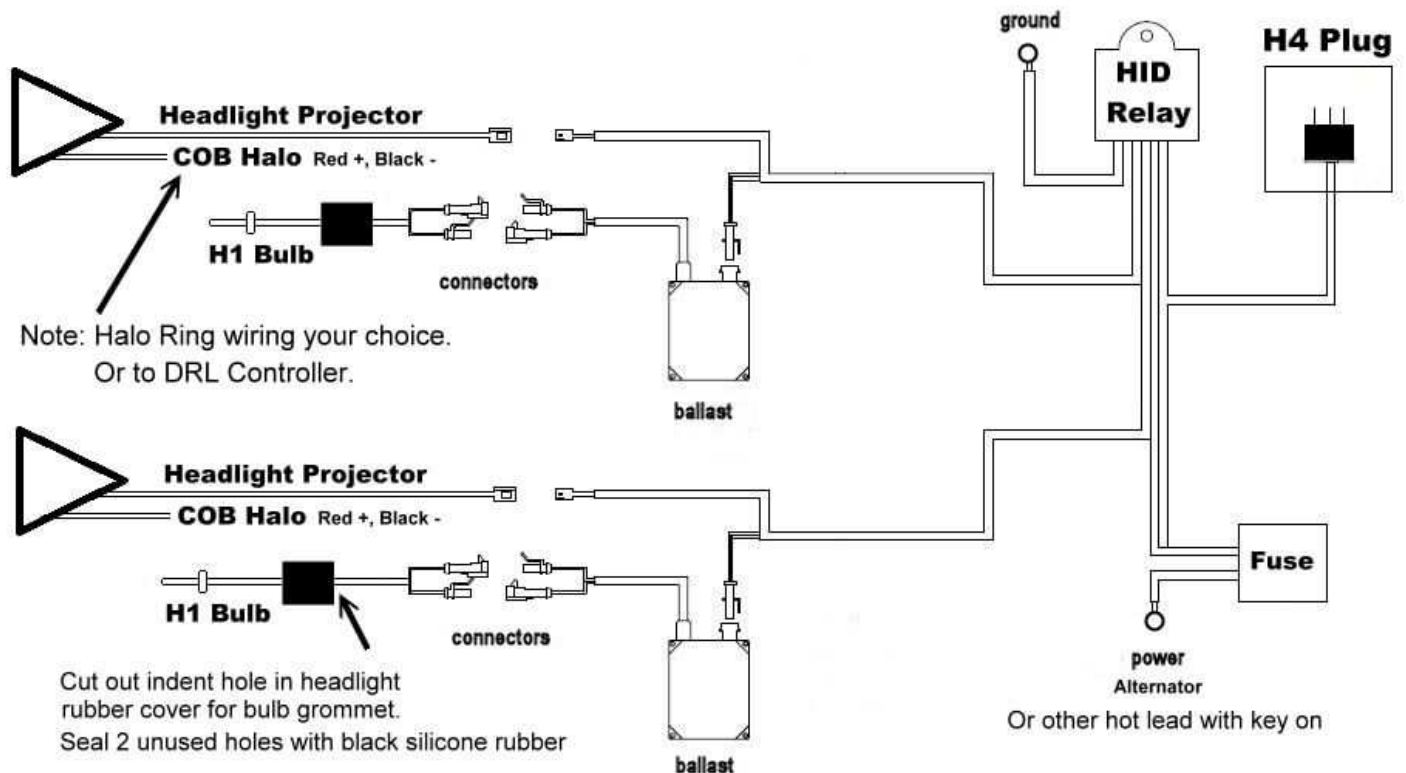


Shock hazard! Disconnect your battery before installing!

**DO NOT TOUCH THE HID BULB GLASS WITH YOUR BARE SKIN!
OILS FROM YOUR SKIN WILL SHORTEN THE BULB LIFE!**

HID Wiring Diagram

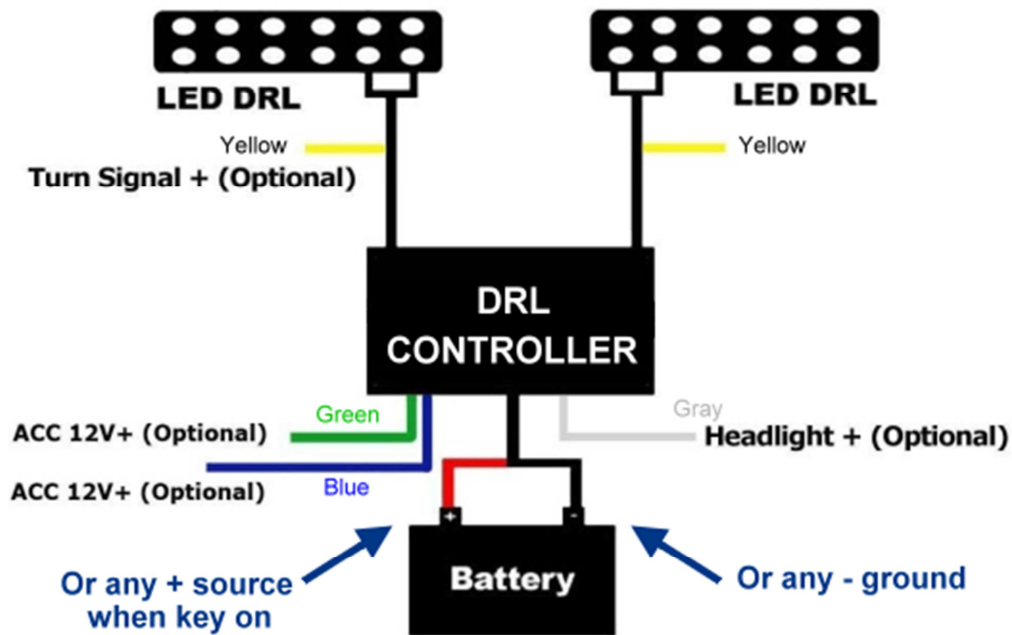


NOTE: Black and blue wires with red insulators and a male connector with yellow weatherproof gasket should be cut from light blue rubber grommet and discarded as they are not used in this installation. Our HID controller will make the needed connections.



Choose your Positive + power connection with 12v key on.
Negative - can be battery or any good ground source.

DRL Controller Wiring Diagram



When yellow wires are connected to turn signals, DRL lights flash with turn signals.

When gray wire is connected to headlights, DRL's turn on with headlights and off with a 28 second delay.

When green wire is connected to audio, DRL's flash with music.

When blue wire is connected, optional trigger wire for some cars to prevent power fluctuation.

Because someone did it, we now must explain NOT to do it!

DO NOT CUT the resistors pictured below off of the Halo rings.

Doing so will void your warranty, and fry the Halo rings!

They cannot accept 12 volts without the resistors!



Happy Motoring,

The HIDupgrades Team

sales@hidupgrades.com